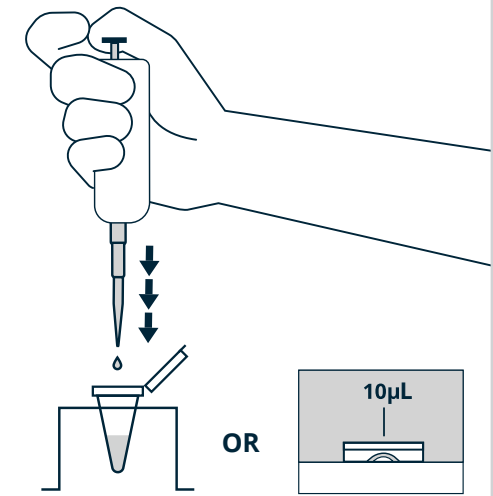
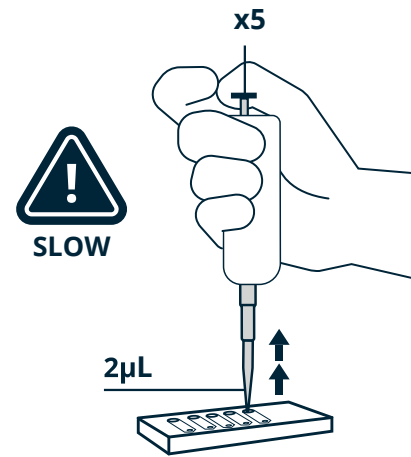
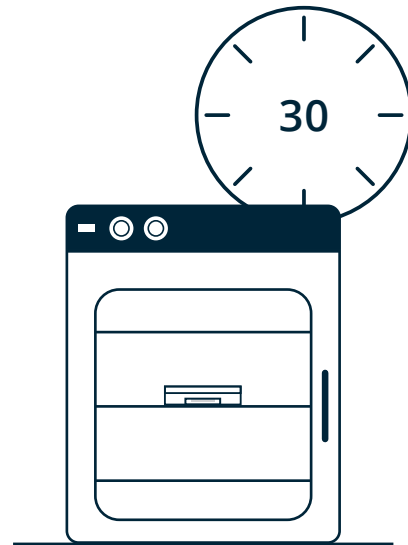
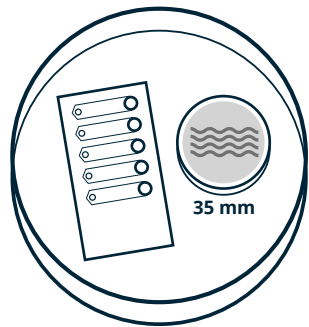


INSTRUCTIONS FOR USE

**1.** Allow sample to liquefy.

**2.** Add 15µL of media to each inlet port.

**3.** Slowly inject 2µL of sample to each inlet port.



**4.** a) Prepare water.  
b) Place device in covered container.

**5.** Incubate at 37°C for 30 minutes.

**6.** Slowly aspirate 2µL from each outlet port.

**7.** Transfer the collected material for later use.