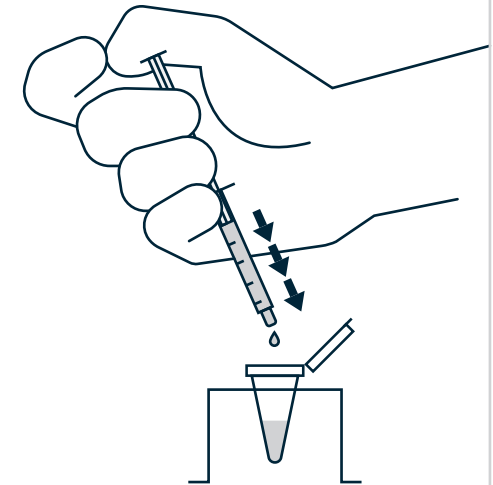
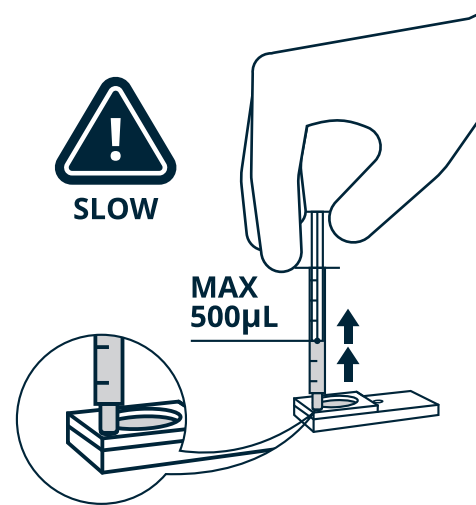
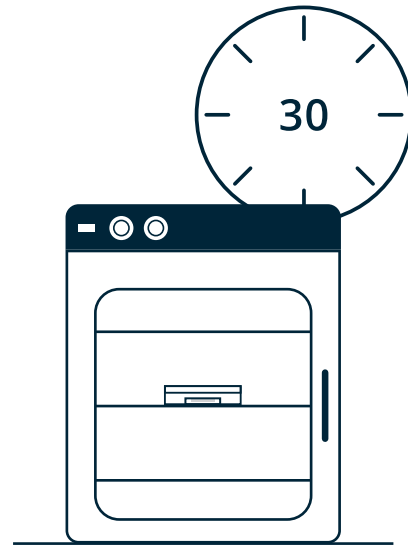
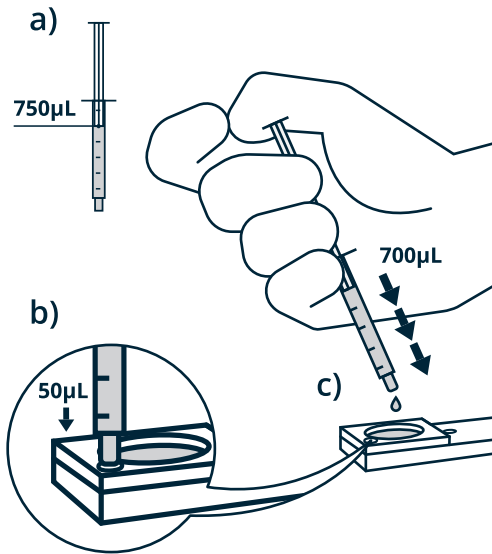


INSTRUCTIONS FOR USE

1. Allow sample to liquefy.

2. Draw 850µL of the sample.

3. a) Achieve seal.
b) Slowly inject sample.



4. a) Draw 750µL of media.
b) Prime outlet channel.
c) Cover membrane.

5. Incubate at 37°C for 30 minutes.

6. Slowly aspirate a maximum of 500µL.

7. Transfer the collected material for later use.